

# Canal impeller



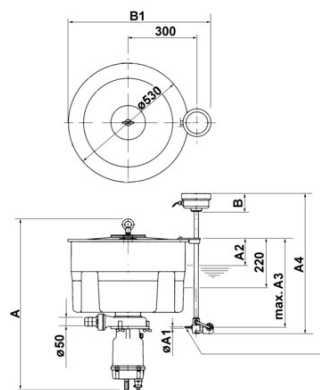
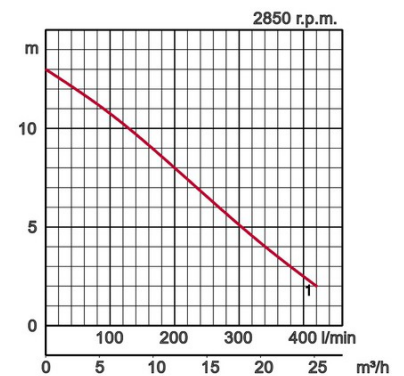
**FHP** 3-phase  
50Hz

## Specifications:

Model	Colour code curve
FHP-8T	● 1



Discharge bore mm		50mm	
Pumping Fluid	Temperature	0-40°C	
	Type of Fluid	Treated sewage	
Pump	Components	Impeller	Non-clog impeller
		Shaft Seal	Double mechanical seal
		Bearings	Shielded ball bearings
	Material	Impeller	Grey iron casting EN-GJL-200
		Casing	Grey iron casting EN-GJL-200
		Shaft Seal	Silicon carbide in oil bath
	Float	Glass fibre reinforced plastic	
Motor	Type, Poles		Induction motor, 2 poles, IP68
	Lubrication		Turbine oil (ISO VG32)
	Insulation		Insulation class E
	Motor Protector (built-in)		Circle thermal cut-out
	Phase / Voltage		3-phase / 400V / 50Hz / d.o.l.
	Material	Casing	Grey iron casting EN-GJL-150
		Shaft	Stainless steel EN-X6Cr13
Cable		Rubber, 10m H07RN-F	
Discharge Connection		Hose coupling	



Model	A	A1	A2	A3	A4	B	B1
FHP-8T	819	15	130	520	623	89	629

Updated 09/2017

Please mind: discharge bend, duck foot bend and stand set are accessories and must be ordered separately