



TSURUMI PUMP

POMA 1-phase
50Hz

Submersible sump pumps

With a light fibre-reinforced plastic casing and head cover, the pump is abrasion and corrosion resistant, minimizing maintenance.

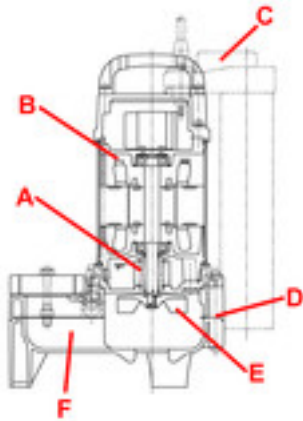




Vortex Impeller

This impeller is used mainly to avoid clogging or wear by large or stringy solids in the water. It accelerates part of the water to great speed, and this speed is used to smoothly move all the water from inlet to outlet.

Maximum solids passage is 35mm dia., no strainer is necessary.



A | Double mechanical shaft-seal in oil chamber

Ensures maximum protection and long motor life.

B | A thermostat protects the powerful 0,15kW motor from overheating

C | Integral float-type level unit

Controls water level precisely and automatically, switching the pump on and off as level rises and falls.

D | Fibre-reinforced plastic (FRP) casing and head cover

The pump is abrasion and corrosion resistant, minimizing maintenance.

E | Vortex impeller

Eliminates blocking and binding. Made of FRP, it withstands long operation, with minimal abrasive wear.

F | Maximum solids passage 35mm diameter

The largest among this class of pumps. No strainer is necessary.

